



## Power Series PS-500 & PS-500Plus

Wireless Color LED Fixture

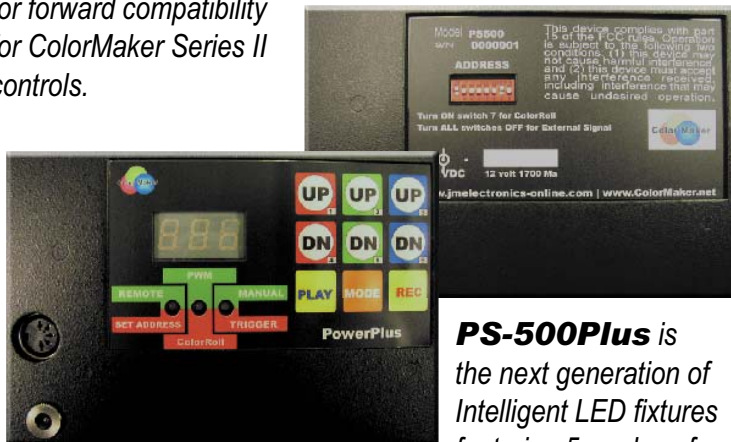
### The First Intelligent Color LED Lighting Fixture For Residential, Commercial and Architectural Applications.

The Power Series wireless LED fixtures incorporate the latest technologies developed by JM Electronics Inc. Fast error free wireless communications and our unique ColorRoll technology. The Power Series LED fixture is compatible with all our ColorMaker series transmitters which includes interfaces for Personal Computer, DMX512 and a variety of hand held controllers.

The Power Series uses 450 super bright LED to create 16 million brilliant colors. Versatile to be used for spot or flood light applications. Removable bezel allows easy change of lens which are available in clear or frosted to meet your requirements.

The Power Series Fixture is available in two models.  
PS-500 and PS-500Plus.

**PS-500** is a standard fixture with dip switch to set address for wireless operation or can be used with external signal control for forward compatibility for ColorMaker Series II controls.



**PS-500Plus** is the next generation of Intelligent LED fixtures featuring 5 modes of operation with Digital Readout and Keypad control. The PS-500Plus can be used with our ColorMaker line of transmitters or can be used as a stand alone fixture. Keypad control of RGB dimmer levels with save and edit features of 6 programmable dimmer settings. Address is keyed using 1-32 no need for binary conversion of address code. The Power Series fixture also incorporates our ColorRoll™ Technology which is widely used in the entertainment industry.



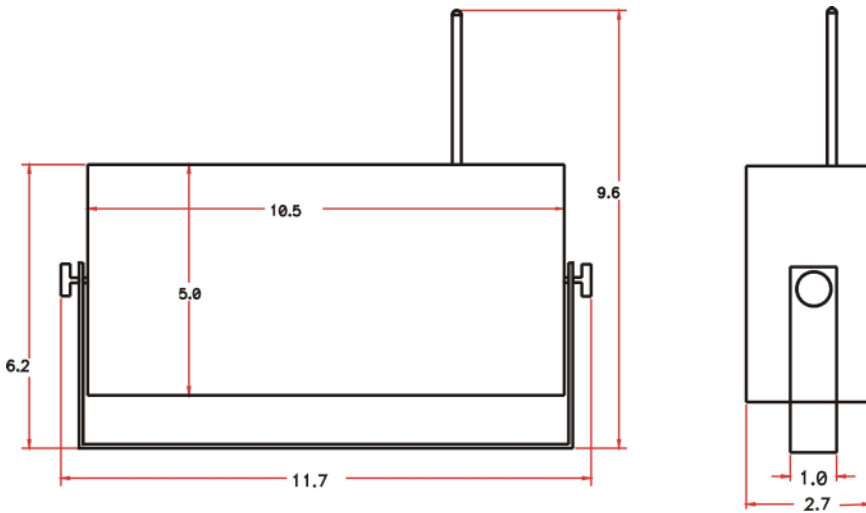
#### Features:

- 450 Super Bright LED's
- 2000 Candela at 30 degrees
- 16 Million Colors
- 12 volts DC Battery Pack or Wall Adapter
- 100% Duty cycle at full power

#### Operating Modes: PS-500Plus

- Wireless radio communication with any of our ColorMaker series transmitters.
- External Signal input provides forward compatibility for next generation ColorMaker wireless controls
- Manual input of Color blends via keypad. Settings can be saved to one of six scene buttons
- Addressing fixture to 1 of 32 receive channels and to 1 of 127 network nodes.
- Manual ColorRoll controlled via keypad. One of six ColorRoll patterns can be recorded and played back.
- Wireless Auto Trigger to start preset ColorRoll or Scene

## Dimensions



## Mechanical

Designed for portability the Power Series is constructed of heavy gauge aluminum with a textured scratch resistant coating. Mounting bracket is designed to mount directly to our line of D12 battery packs.

**Want More Information ?**

[www.ColorMaker.net](http://www.ColorMaker.net)

## Power Series Specifications:

Frequency: 916 Mhz

Range: 400 feet

Power Requirements: 12 volts DC 1700Ma

Operating Temperature: -30 C to +70 C

Duty Cycle: 100%

LED Count: 450

LED Beam angle: 30 degrees

LED Total Power 2000 Candela

## Dimensions:

Width 11.7 inches

Height 6.2 inches (without antenna)

Length 2.7 inches

Weight: 2.7 Lb.



Color Maker™ is a Trade Mark of  
JM Electronics inc.

JM Electronics inc.  
Altamonte Fl 32714  
(407) 862-3363  
[www.colormaker.net](http://www.colormaker.net)  
[www.jmelectronics-online.com](http://www.jmelectronics-online.com)