



Power Series PS500

Wireless Color LED Fixture

Wireless Color LED Lighting Fixture For Residential, Commercial and Architectural Applications.

The PS500 wireless LED fixtures incorporates the latest technologies developed by ColorMaker Inc. Fast error free wireless communications and our unique ColorRoll technology. The PS500 LED fixture is compatible with all our ColorMaker series transmitters which includes interfaces for Personal Computer , DMX512 and a variety of hand held controllers.

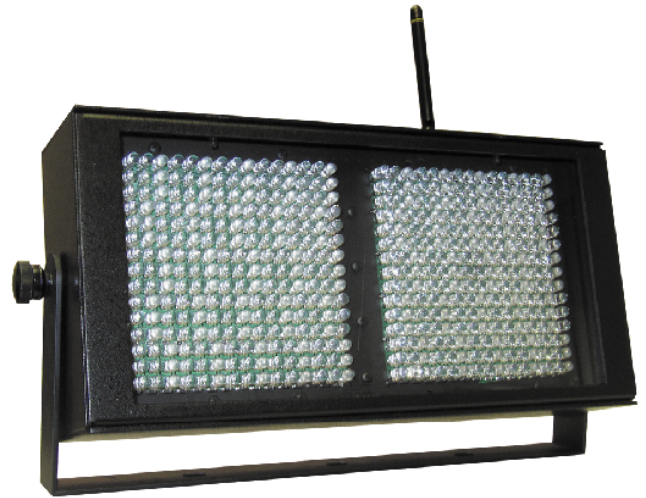
The PS500 uses 450 super bright LED to create 16 million brilliant colors.

Auto Program

The Auto Program feature enables easy programming of Network address and Fixture Address. Just a press of the button and the fixture auto programs to the selected button on the remote. The network address and the fixture address are saved to memory and turning off the fixture or losing power will not affect the settings. Fixture can be programmed as may time as needed.

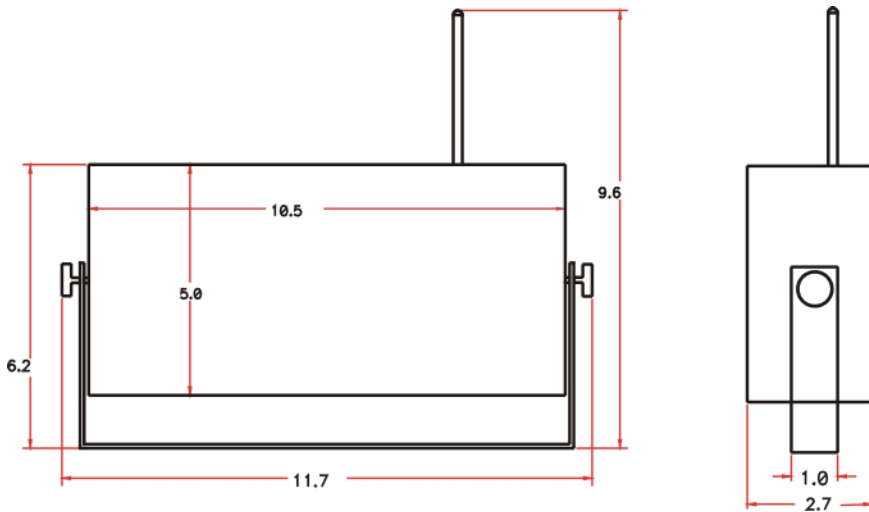
Control Panel

PS500 control panel has a setup switch use to start Auto Address feature and to switch the ColorRoll feature on and off. The indicator light identifies what the fixture settings are currently programmed.



The PS500 is designed to efficiently dissipate heat from the LED cluster to allow 100% duty cycle at full power.

Dimensions



Specifications:

Electrical: 12 Volt 1700 Ma
Operating Temperature: -30^o C to +70^o C
Duty Cycle: 100%

LED bulb life: 100,000 Hours
LED Beam angle: 30 degrees
Total MCD: 1.965,000

Power Supply

Use only ColorMaker approved power supplies. The GL2500 is a recommended supply for 110 volt operation. The PS500 requires 1700 Ma at full load.

D1240 Battery Pack is a portable supply that will power the PS500 for up to 18 hours on a single charge.

Physical Specifications

Length: 2.7 inches
Width: 11.7 inches
Height: 6.2 inches (without antenna)

Weight: 3 lbs

Light output Specifications

Color	Dominant Wave length (nm)	Luminous Intensity (mcd)	Beam angle (deg)
Red	628	3500 X 150 (525,000)	30
Green	525	7500 X 150 (1,125,000)	30
Blue	465	2100 X 150 (315,000)	30

ColorMaker Inc.
980 Sunshine lane Bldg T
Altamonte Springs Fl 32714
USA

Sales (407) 862-2784
Technical (407) 862-3363
FAX (407) 862-2794
Web site: www.colormaker.net